

Data sheet

Strainers

type FA



Strainer type FA with interchangeable filter insert is used in lines carrying fluorinated refrigerants, ammonia, water, brine, oil, and gas.

Features

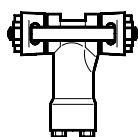
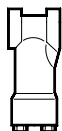
- Retains contaminants, e.g. slag, and weld beads and swarf.
- Pressure drop insignificant
- Classification: DNV, CRN, BV, EAC etc. To get an updated list of certification on the products please contact your local Danfoss Sales Company.

Technical data

- *Temperature of media*
-50 – +140°C
- *Max. working pressure*
PS = 28 bar
- *Max. test pressure*
p' = 42 bar
- *Filter insert*
Stainless steel weave, mesh size 150μ (100 mesh)

Materials

- Gaskets are non asbestos
- Valve housing made of GGG - 40.3

Ordering
Complete valves


- 1) The k_v value is the flow of water in m^3/h at a pressure drop in the strainer of 1 bar, $\rho = 1000 \text{ kg/m}^3$.
- 2) Code no. with bolts, screws and gaskets but without flanges
- 3) Code no. with flanges, bolts, screws and gaskets.

Type	Application	Connection to valve or pipeline	Strainer area cm^2	Strainer vol. cm^3	k_v value ¹⁾ m^3/h	Staybolts	Code no.
FA 15	For direct fitting on valve	6 F, TE 12, CVM	40	68	3.3	M12 × 180	006-0040 ²⁾
		TEA 20, TEAT 20, TEVA 20			3.3	M12 × 170	006-0042 ²⁾
		EVR 15, EVRA 3			3.3	M12 × 188	006-0043 ²⁾
		EVRA/T 10-15			3.3	M12 × 107	006-1012 ²⁾
FA 20	For direct fitting on valve	EVR 20	60	145	7.0	M12 × 240	006-0046 ²⁾
		TEA 85, TEAT 85, TEVA 85			7.0	M12 × 206	006-0048 ²⁾
		EVRA/T 20			7.0	M12 × 127	006-1013 ²⁾
FA 15	For fitting in pipelines	1/4 in. weld flanges	40	68	1.9	M12 × 127	006-0050 ³⁾
		3/8 in. weld flanges			2.6	M12 × 127	006-0051 ³⁾
		1/2 in. weld flanges			3.5	M12 × 127	006-0052 ³⁾
		3/4 in. weld flanges			3.5	M12 × 127	006-0053 ³⁾
		1/2 in. solder flanges			2.6	M12 × 127	006-0057 ³⁾
		5/8 in. solder flanges			3.4	M12 × 127	006-0058 ³⁾
		3/4 in. solder flanges			3.2	M12 × 127	006-0059 ³⁾
		7/8 in. solder flanges			3.5	M12 × 127	006-0075 ³⁾
		1 in. solder flanges			3.5	M12 × 127	006-0060 ³⁾
FA 20	For fitting in pipelines	1/2 in. weld flanges	60	145	5.1	M12 × 160	006-0065 ³⁾
		3/4 in. weld flanges			7.4	M12 × 160	006-0066 ³⁾
		1 in. weld flanges			7.4	M12 × 160	006-0067 ³⁾
		5/8 in. solder flanges			5.1	M12 × 160	006-0071 ³⁾
		1 1/8 in. solder flanges			7.3	M12 × 160	006-0074 ³⁾

Components / Accessories
Strainer housing without flanges

Type	Strainer area cm^2	Strainer volume cm^3	k_v value ¹⁾ m^3/h	Code no.
FA 15	40	68	3.3	036-0060
FA 20	60	145	7.0	036-0061 ²⁾
FA 20	60	145	7.0	036-0062 ³⁾

- 1) The k_v value is the flow of water in m^3/h at a pressure drop in the strainer of 1 bar, $\rho = 1000 \text{ kg/m}^3$.
- 2) For direct fitting in pipeline.
- 3) For direct fitting on to valves.

Single flanges with flange gaskets for FA 15

Version	Type	Code no.
3/8 in. weld	T	006-1120
	G	006-1121
1/2 in. weld	T	006-1122
	G	006-1123
3/4 in. weld	T	006-1124
	G	006-1125
5/8 in. solder	T	006-1162
	G	006-1163
7/8 in. solder	T	006-1176
	G	006-1177

Staybolt set with gaskets

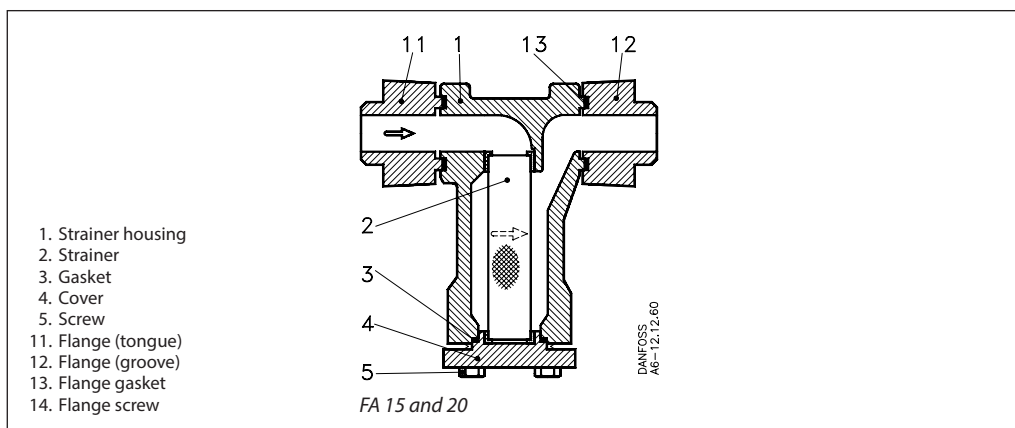
Version	Code no.
M12 × 107 mm	006-1101
M12 × 127 mm	006-1108
M12 × 160 mm	006-1136
M12 × 170 mm	006-1103
M12 × 180 mm	006-1102
M12 × 188 mm	006-1104
M12 × 206 mm	006-1106
M12 × 240 mm	006-1105

Single flanges with flange gaskets for FA 20 ¹⁾

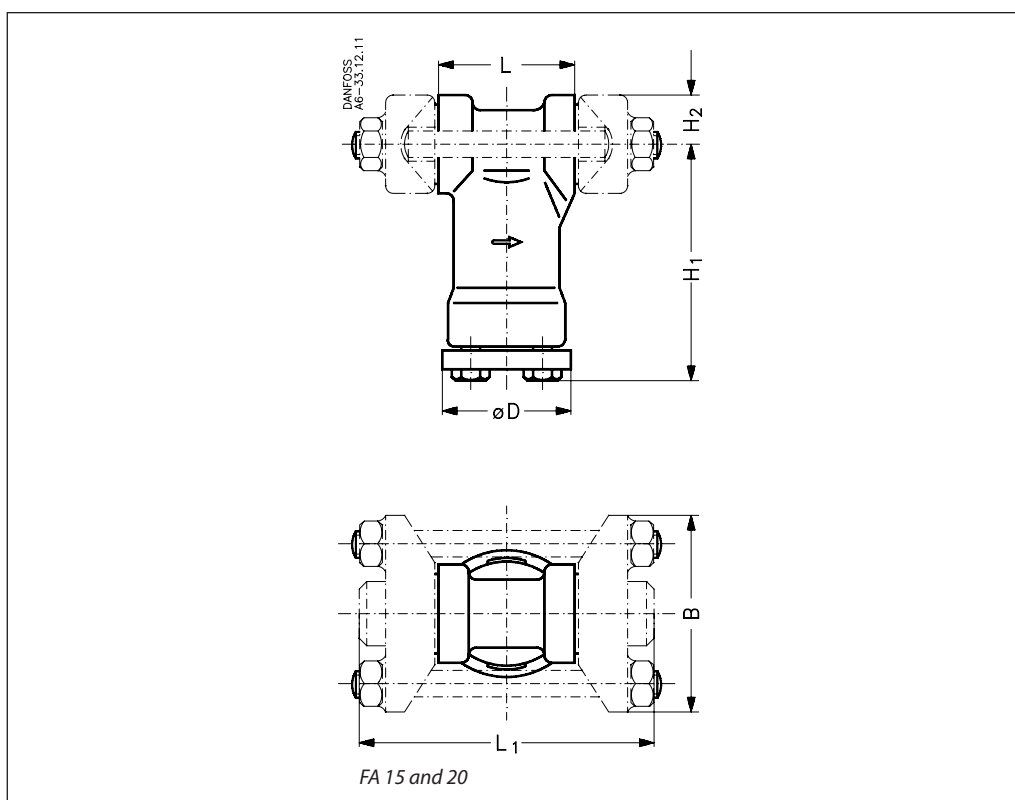
Version	Type	Code no.
3/4 in. weld	T	006-1128
	G	006-1129
1 in. weld	T	006-1130
	G	006-1131
1 1/8 in. solder	T	006-1174
	G	006-1175

- 1) Only for code no. **036-0061**.

Design



Dimensions and weights



Type	Code no.	H ₁ mm	H ₂ mm	L mm	Weld flanges	Solder flanges	B mm	∅D mm	Weight kg
					L ₁ mm	L ₁ mm			
FA 15	006-0040 → 006-0043	95	20	54				51	1.2
FA 15	006-0050 → 006-0058	95	20		116	109	80	51	1.7
FA 20	006-0046 → 006-0048	106	26	72				60	2.2
FA 20	006-0065 → 006-0074	106	26		142	137	96	60	2.9

ENGINEERING
TOMORROW



Danfoss can accept no responsibility for possible errors in catalogues, brochures and other printed material. Danfoss reserves the right to alter its products without notice. This also applies to products already on order provided that such alterations can be made without subsequential changes being necessary in specifications already agreed. All trademarks in this material are property of the respective companies. Danfoss and the Danfoss logotype are trademarks of Danfoss A/S. All rights reserved.